

Replacing the Boxer lens circuit boards

The lens circuit board projector (LCBP) must be connected to lens circuit board lens (LCBL) for the lens zoom motor to work.

To ensure a proper connection between the LCBP and LCBL for lens zoom functionality, Christie has released a new service kit to replace worn or damaged parts.

Affected products

The following products are affected.

- Boxer 4K models
- Boxer 2K models
- Boxer 30
- Mirage 304K

Required components

The following components are required to complete the upgrade.

- Boxer lens repair kit LCBL and LCBP P/N: 003-006191-01

Tools required for installation

Make sure the following tools are available during the installation:

- Long and stubby neck magnetic-tip ball drivers—2.5 mm, 3 mm, and 5 mm provided in projector toolbox
- Needle nose wire cutter
- 2.5 mm hex driver
- 3 mm hex driver

Safety precautions

To prevent personal injury and to protect the device from damage, read and follow these safety precautions.



Warning! Failure to comply with the following could result in death or serious injury.

- SHOCK HAZARD! Disconnect the product from AC before moving, servicing, cleaning, removing components, or opening any enclosure.
- EXPLOSION HAZARD! Allow sufficient time for the lamp to cool down before powering down the product, disconnecting it from AC, and opening the lamp door.
- Always handle optics by their edges.
- All procedures must be performed by Christie qualified technicians.
- Use protective eye wear and gloves when cleaning and servicing the product. Follow workplace guidelines for using personal protective equipment when cleaning and servicing products.



Notice. Failure to comply with the following may result in property damage.

- SHOCK HAZARD! All harnessing must be properly routed and secured as originally installed, especially in high voltage areas.

Turning the projector off

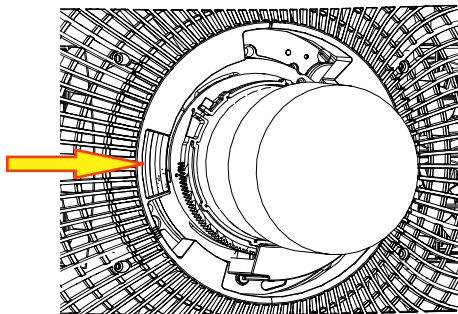
When powering off in preparation for inspection or maintenance, always disconnect from AC.

1. To turn the lamps off, press and hold the **Power** button until you hear a beep.
When powering off the projector, allow the projector to complete its cool down cycle. Do not immediately unplug the projector if this can be avoided.
2. To turn off power to the projector, disconnect from AC power.

Removing the projection lens

Use the correct method of removing the lens.

1. Push in and hold the lens release button.



2. Turn the lens counterclockwise until the lens guides are aligned.
3. Slide the lens straight out of the projector.
If the lens does not slide out easily, reset the lens offset before removing the lens.

- Attach the lens cap to avoid damage.



Warning! Failure to comply with the following could result in death or serious injury.

- Once the lens removal has begun the safety retention features of the lens are defeated. To re-engage the safety lock mechanism, the lens must be removed and re-inserted, or fully rotated clockwise until a click is heard.
- Packaging tape is required to ensure safe shipment of the projection lens to restrain the zoom ring from rotating during shipping.

Replacing the lens connector board projector

The lens connector board projector (LCBP) located on the projector lens mount, provides the physical contact control between the lens and the projector for operation of the zoom motor on the lens.

Estimated replacement time: 1.5 minutes

- If installed, remove the lens.
- Remove the two screws securing the lens mount board.

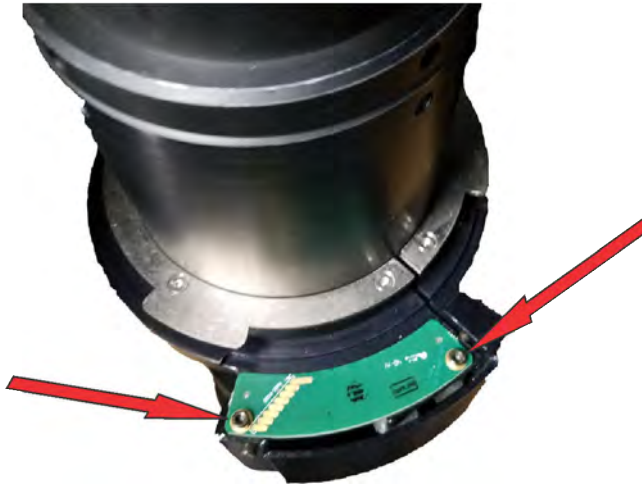


- Disconnect the J2 harness.
- Pull out the board.
- Replace the board.
- To re-install, follow these steps in reverse order.

Replacing the lens connector board lens

The lens connector board lens (LCBL) located on the lens, provides physical contact control between the lens and the projector for lens zoom operation.

- If installed, remove the lens.
- Remove the two screws securing the LCBL.



3. Disconnect the P1 and P2 harness.
4. Pull out the board.
5. Replace the board.
6. To re-install, follow these steps in reverse order.
7. Perform the lens calibration to reset zoom and focus settings.

Technical support

Technical support for Christie products is available at:

- North and South America: +1-800-221-8025 or Support.Americas@christiedigital.com
- Europe, Middle East, and Africa: +44 (0) 1189 778111 or Support.EMEA@christiedigital.com
- Asia Pacific: +65 6877-8737 or Support.APAC@christiedigital.com